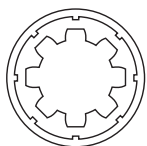


# Belt Drive Actuators

M50-25 Series

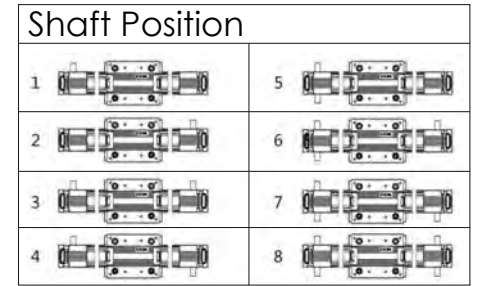
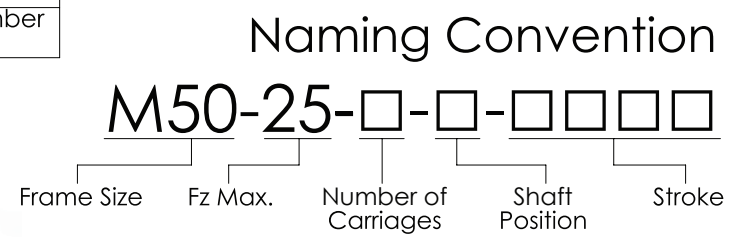
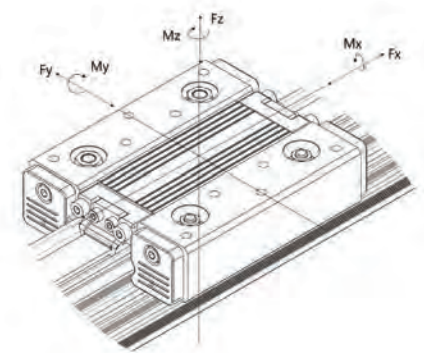


**MYOSTAT MOTION CONTROL INC.**

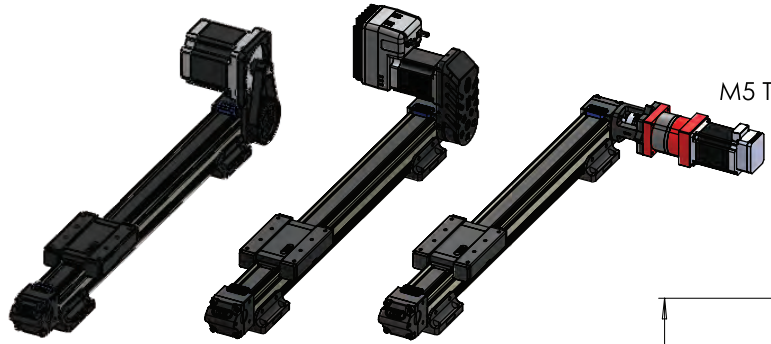
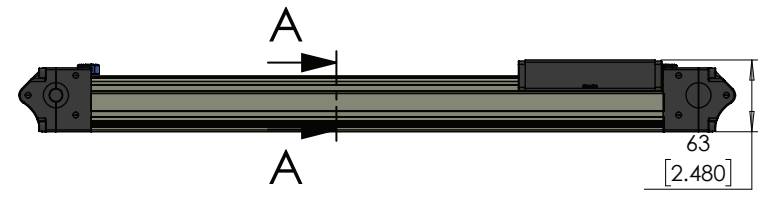
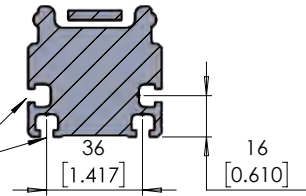
www.myostat.ca  
info@myostat.ca  
+1 905 836 4441

Technical Data				
	Unit		Value	
Max. Speed	m/s	ft/s	4	13.12
Max. Acceleration	m/s <sup>2</sup>	ft/s <sup>2</sup>	15	49.21
Nominal Input Torque	Nm	ft-lb	5	3.69
Positional Repeatability	+/- mm	+/- Inch	0.05	0.002
	Pitch		95	3.740
Belt Width	mm	Inch	20	0.787
Toothed Belt	STD5M			
Max. Belt Expansion	%		0.18	
Toothed Belt Tension	N	lbf	300	67.44
			Fx Max.	250
Fy Max.			185	41.59
Fz Max.			250	56.2
Mx Max.			8	5.9
My (standard)	Nm	ft-lb	12	8.85
Mz (standard)			10	7.38
Mass for first meter	Kg	lb	3.8	8.36
Mass per additional meter			3.2	7.04

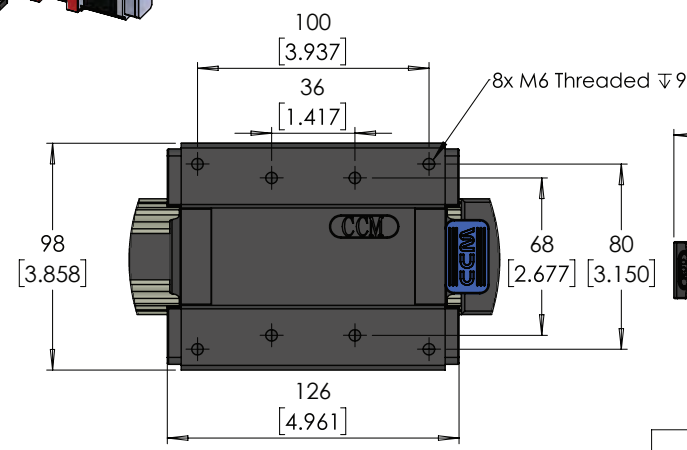
Variable Dimensions	
RL - Rail Length	350 - 3600 [13.780-141.732]
L - Overall Length	RL + 133.78 [5.267]
S - Stroke	RL - (126 [4.961] x Number of Carriages)



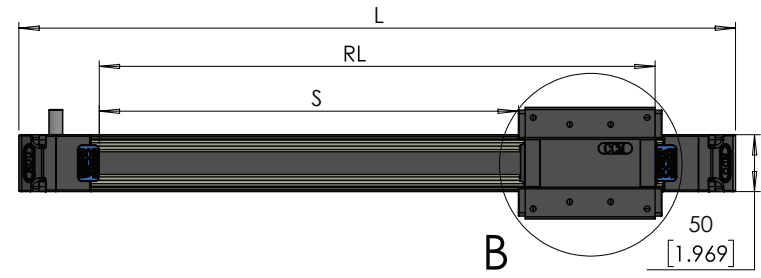
SECTION A-A



Available with Inline Motor Mount, SX Gearbox and 23L20C, 2:1 Belt Reduction or 5:1 Belt Reduction



DETAIL B



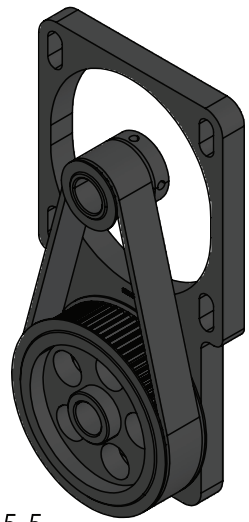
Unless otherwise specified, tolerance to be: CNS 4018 IT 14 Linear measures
0.5-3 ±0.1
3-6 ±0.1
6-30 ±0.2
30-120 ±0.3
120-315 ±0.5

DRAWN	M.Reynolds	04-10-2018
CHECKED	M.Dank	04-10-2018
ENG APPR.	M.Dank	04-10-2018

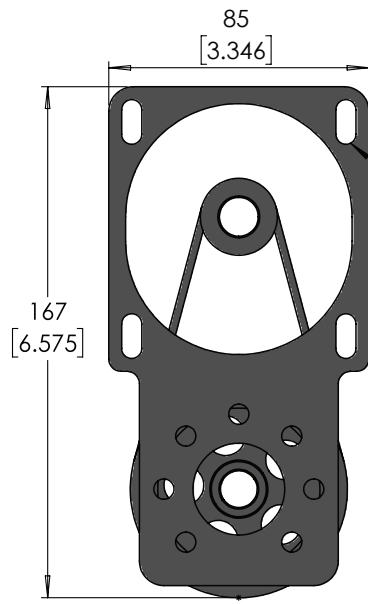


DO NOT SCALE DRAWING		DIMENSIONS ARE METRIC	
TITLE: M50-25 Series Belt Driven Actuator			
PRT. NO.		REV	
M50-25-□-□-□□□□		2.2	

PROPRIETARY AND CONFIDENTIAL  
THE INFORMATION CONTAINED IN THIS DRAWING IS THE SOLE PROPERTY OF MYOSTAT MOTION CONTROL INC. ANY REPRODUCTION IN PART OR AS A WHOLE WITHOUT THE WRITTEN PERMISSION OF MYOSTAT MOTION CONTROL INC.



SR5-5  
Belt Reduction Available in 5:1

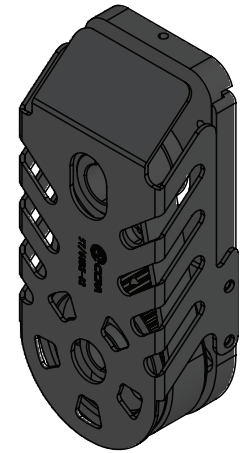
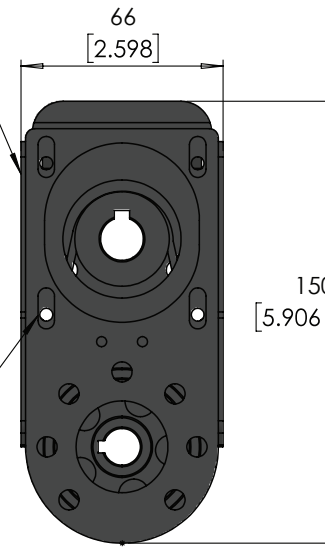


Accepts 60mm Servo Motor with 14mm shaft

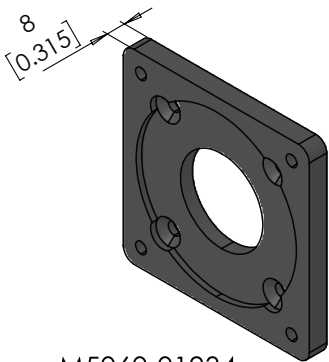
Slotted for Tensioning

Accepts NEMA 34 Motor with 1/2" shaft

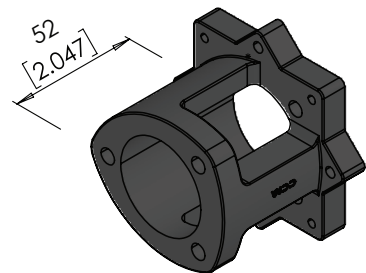
4x M5 Threaded



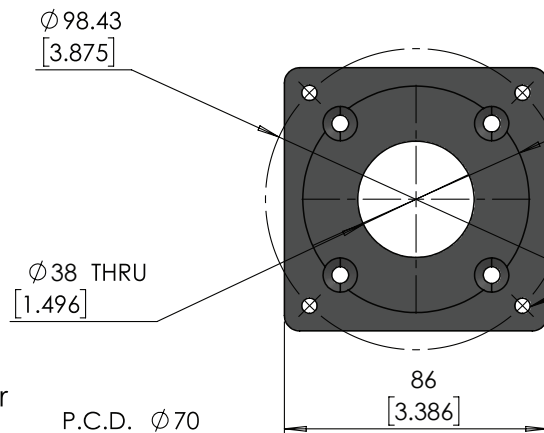
SR2-2  
Belt Reduction Available int 2:1



M5060-01934  
34 Stepper Motor Adapter



M5060-M23-M4  
M5060-M23-M5  
Nema 23 Inline Motor Bracket



4x M6 Threaded

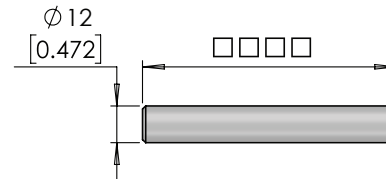
P.C.D. Ø70 [2.756]

8x M4 Threaded  
or  
8x M5 Threaded

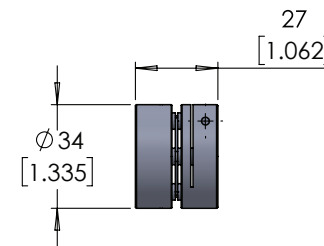
P.C.D. Ø66.67 [2.625]

Ø51 [2.008]

60 [2.362]




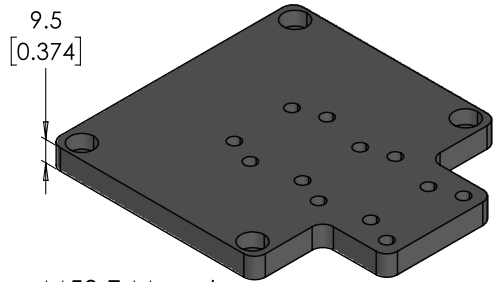
SFT-12-□□□□  
12mm Shaft Variable Length



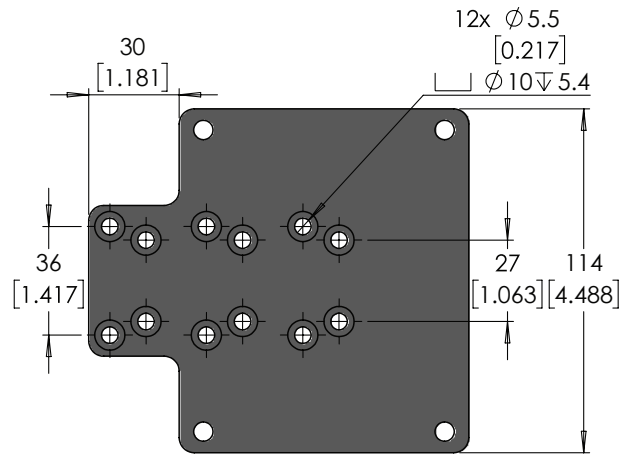
PML34-12-□□  
12 mm Coupling with Variable Input

UNITS: mm [inch]

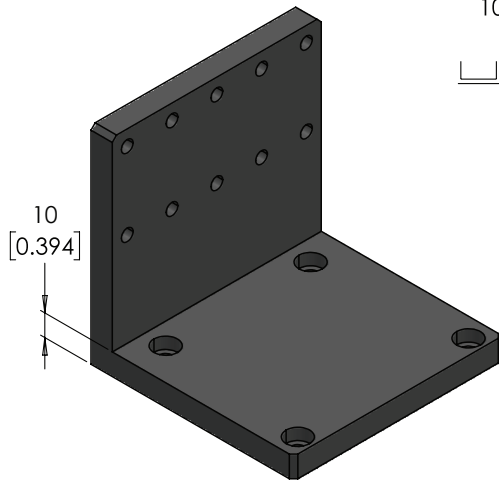
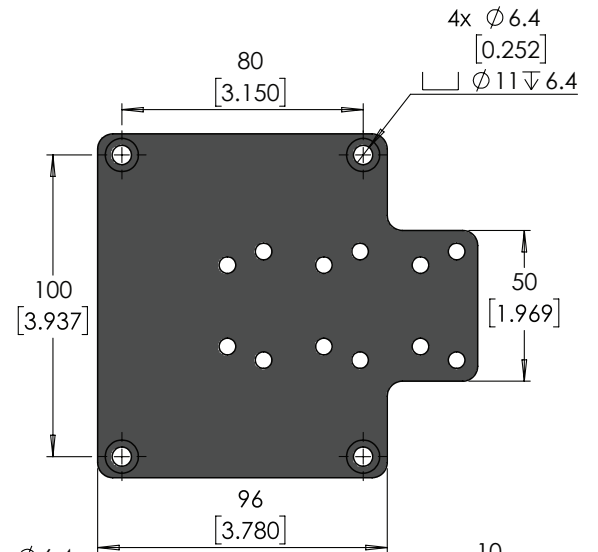
Unless otherwise specified, tolerance to be: CNS 4018 IT 14 Linear measures 0.5-3 ±0.1 3-6 ±0.1 6-30 ±0.2 30-120 ±0.3 120-315 ±0.5	DRAWN	M.Reynolds	04-10-2018	DO NOT SCALE DRAWING DIMENSIONS ARE METRIC	TITLE: <h1>M50-25 Options</h1>
	CHECKED	M.Dank	04-10-2018		
PROPRIETARY AND CONFIDENTIAL THE INFORMATION CONTAINED IN THIS DRAWING IS THE SOLE PROPERTY OF MYOSTAT MOTION CONTROL INC. ANY REPRODUCTION IN PART OR AS A WHOLE WITHOUT THE WRITTEN PERMISSION OF Myostat Motion Control Inc.				PRT. NO. M50-25-□-□-□□□□	
 Myostat Motion Control Inc. +1 905-856-4441 www.myostat.ca				REV 2.2	



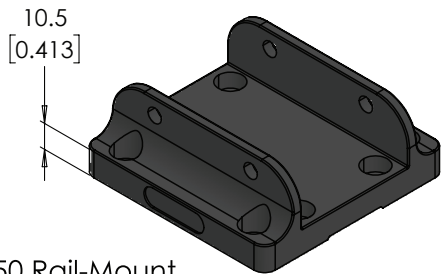
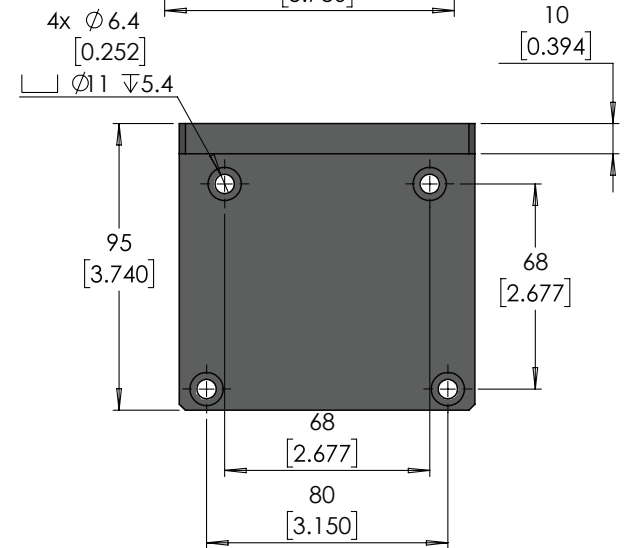
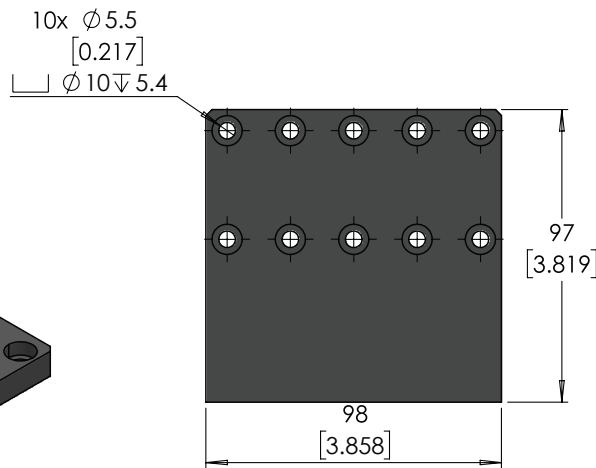
M50-T-Mount  
2 Axis Mounting Bracket



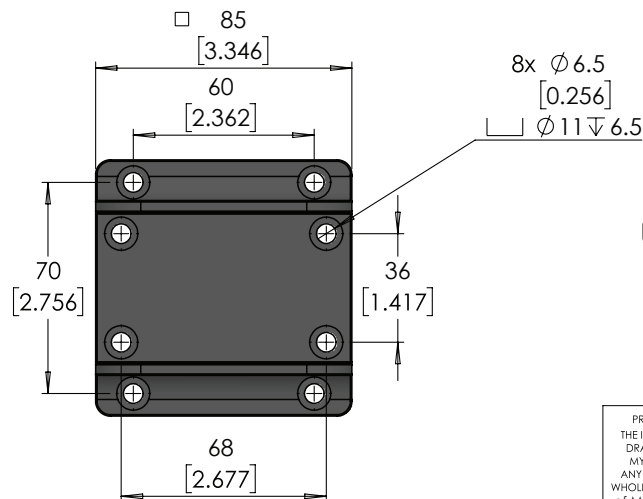
Offset holes allow for mounting of either M45 or M50




M50-RA-Mount  
Right Angle Rail Mount



M50 Rail-Mount  
M50 Rail Mount



UNITS: mm [inch]

Unless otherwise specified, tolerance to be: CNS 4018 IT 14 Linear measures 0.5-3 ±0.1 3-6 ±0.1 6-30 ±0.2 30-120 ±0.3 120-315 ±0.5	DRAWN	M.Reynolds	04-10-2018	DO NOT SCALE DRAWING	DIMENSIONS ARE METRIC
	CHECKED	M.Dank	04-10-2018	TITLE: <h1>M50 Mounting Options</h1>	
ENG APPR.	M.Dank	04-10-2018	PRT. NO. M50-25-□-□-□□□□		
PROPRIETARY AND CONFIDENTIAL THE INFORMATION CONTAINED IN THIS DRAWING IS THE SOLE PROPERTY OF MYOSTAT MOTION CONTROL INC. ANY REPRODUCTION IN PART OR AS A WHOLE WITHOUT THE WRITTEN PERMISSION OF Myostat Motion Control Inc.			 Myostat Motion Control Inc. +1 905-856-4441 www.myostat.ca		REV 2.2

# Pre-Configured Gantry Styles

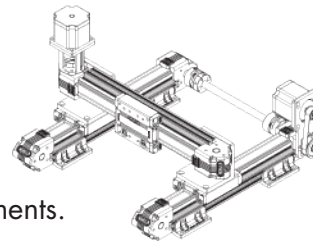
Please reference the gantry style number, along with required strokes and motors or motor mounts. Additional modifications or customization are available.

Gantries can be supplied with or without cable tracks and cabling.

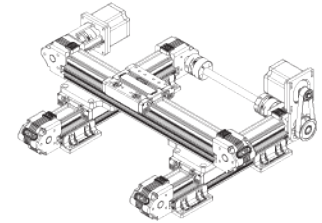
Some configurations are limited to specific frame sizes.

Our engineers can help pick the right combination based on your load and speed requirements.

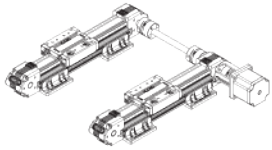
1



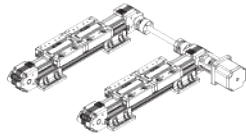
2



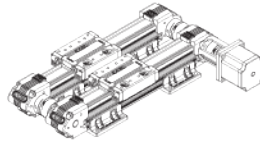
3



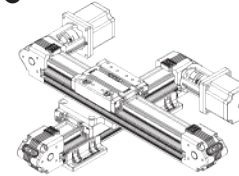
4



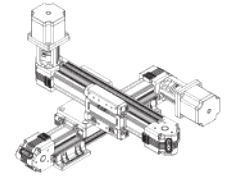
5



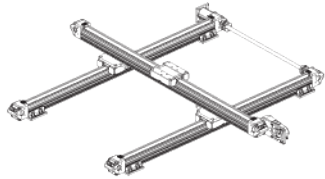
6



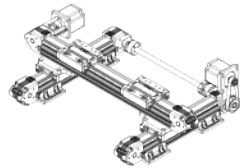
7



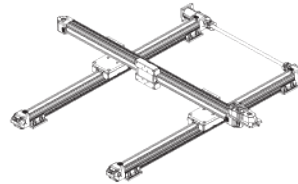
8



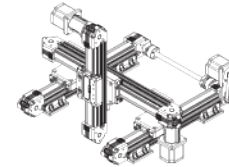
9



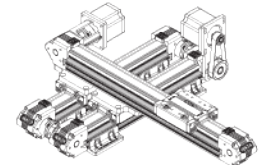
10



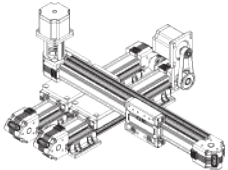
11



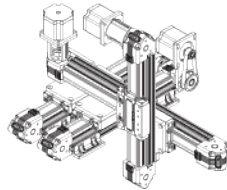
12



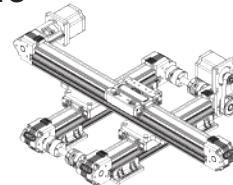
13



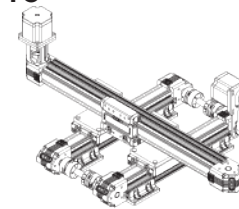
14



15



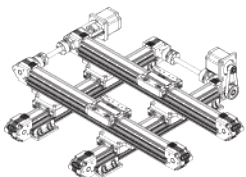
16



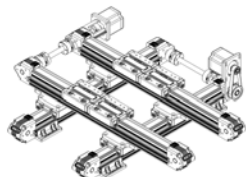
17



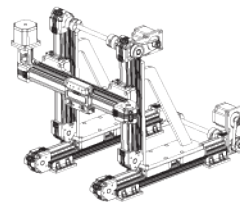
18



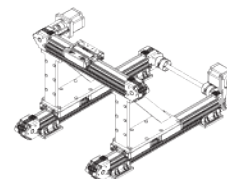
19



20



21



22

